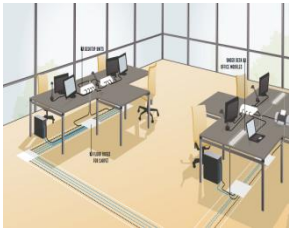




CABLE MANAGEMENT SYSTEMS

Desk Solutions



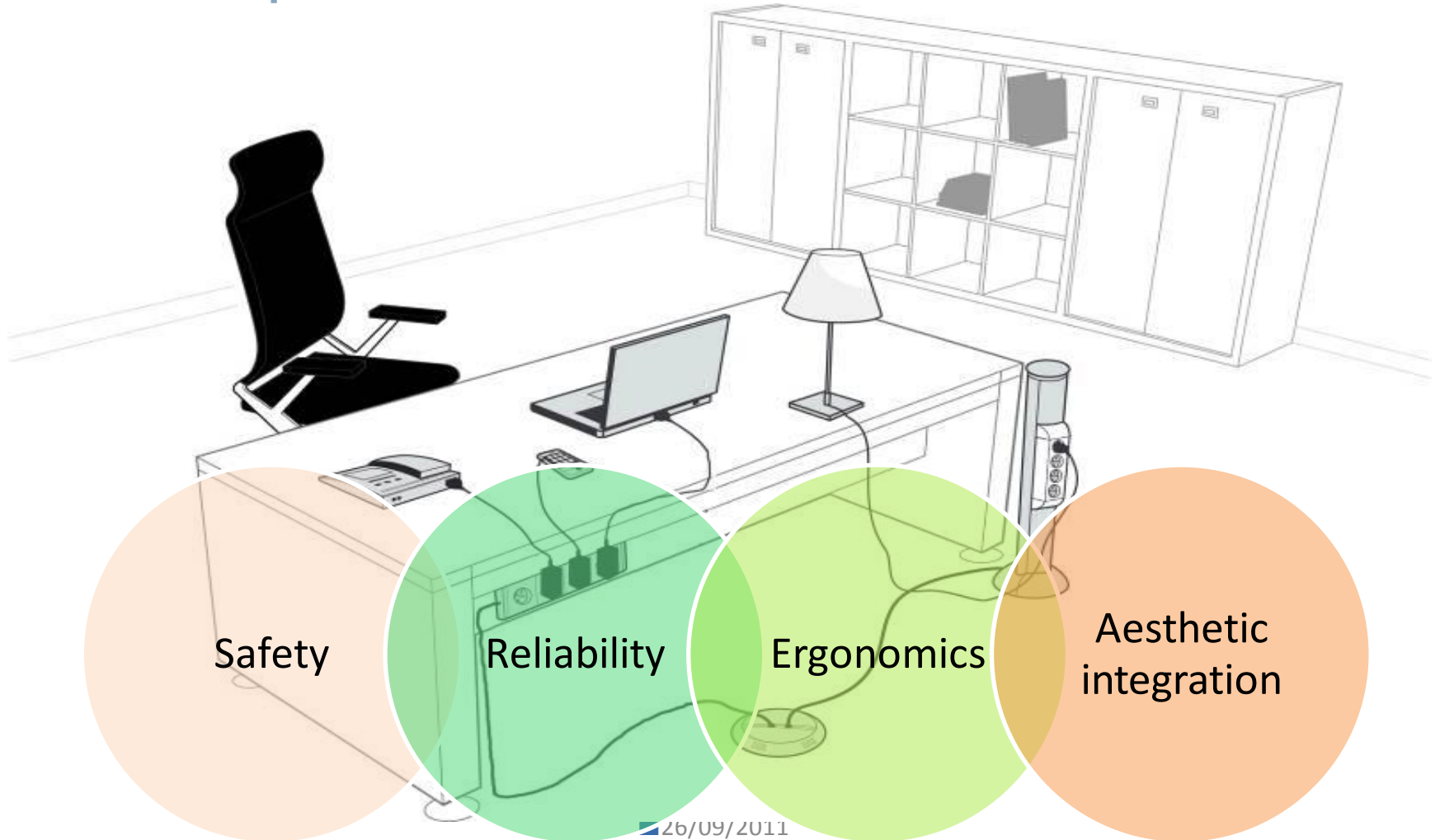


CABLE MANAGEMENT SYSTEMS

Desk Solution



Customers Requirement

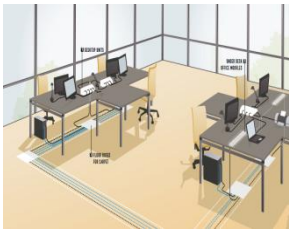


Safety

Reliability

Ergonomics

Aesthetic
integration



CABLE MANAGEMENT SYSTEMS

Desk Solution



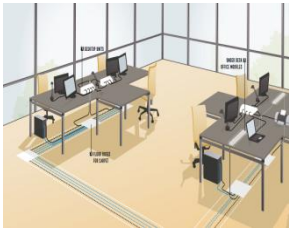
Customers Concerns



■ “sockets are not easily accessible”



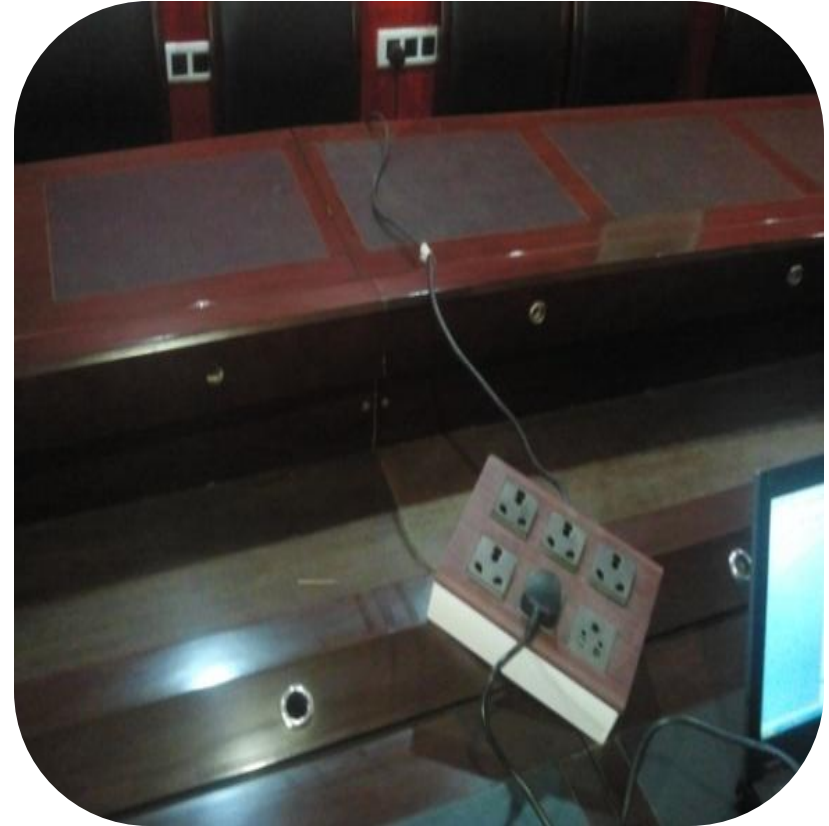
■ “my cables are making a mess under my desk”



Customers Concerns



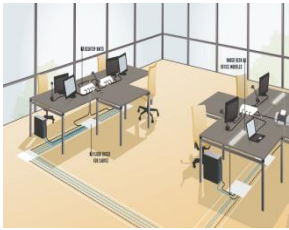
■ “Sockets are not easily Accessible”



■ “my cables are making a mess under my desk”

Desk Solution

Why Desk Solution is Required



Mobile technologies

Strong development of mobile technology (laptops, mobile phones, ...) requiring more connection points close to the desk



Virtual meeting rooms

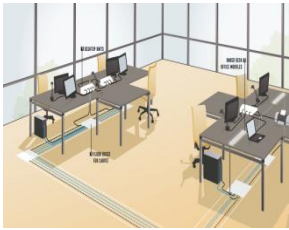
Strong development of group work and virtual meeting rooms (call conf, video conf, ...) requiring always more connectivity in meeting rooms



Open space

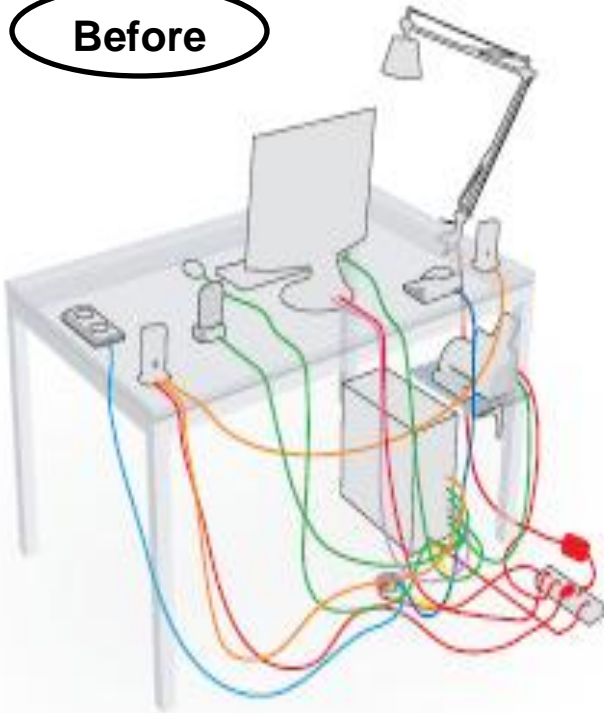
Always more open-spaces, Less wall space available, Movable furniture, ... requiring more flexible power and data wiring.

Desk Solution



With Right Desk Solution

Before



After



- Our aim is to Provide new solutions for power & data connection, closer to the desk
- Main drivers : design, ergonomic, functional...smart !



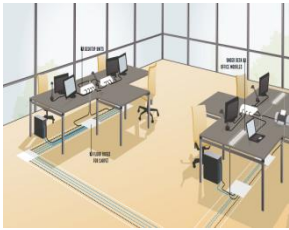
CABLE MANAGEMENT SYSTEMS

Desk Solutions

Power and Data Desk Grommet



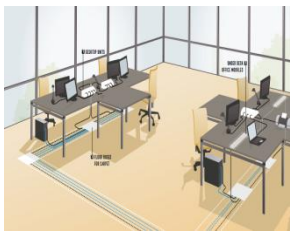
Desk Solution



Power & Data Desk Grommet - Application



Desk Solution

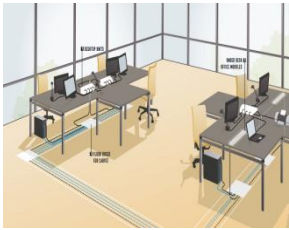


Power & Data Desk Grommet - Range

■ 054065	■ Retractable RJ
■ 054067	■ Retractable micro USB
■ 054070	■ DHM White 1SKT to be equiped
■ 054071	■ DHM Black 1SKT to be equiped
■ 054073	■ DHM1SKT+USB Black to equiped
■ 054072	■ DHM1SKT+USB White to equiped
■ 054060	■ Finish plate White
■ 054062	■ Finish plate Black
■ 054063	■ Finish plate Metal



Desk Solution

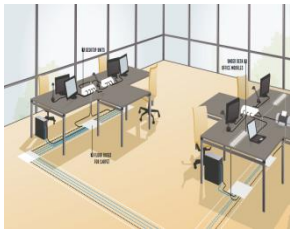


Power & Data Desk Grommet - Idea Evolution

- Most of the desks are integrating a “desk grommet” used to pass cables through. More than 80% of the desks have such round cutouts with a diameter varying between 60 and 80mm
- It is the base of our design and it gives us a big opportunity to integrate our products in furniture without the need of drilling.



Desk Solution



Power & Data Desk Grommet - Application

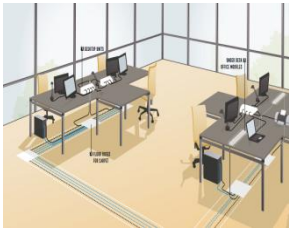
- Target : mobile /laptop users
- Replace the existing desk grommet with a Legrand product providing access to power, data network and mobile phone charger



FUNCTIONALITY AND AESTHETICS AT YOUR SERVICE



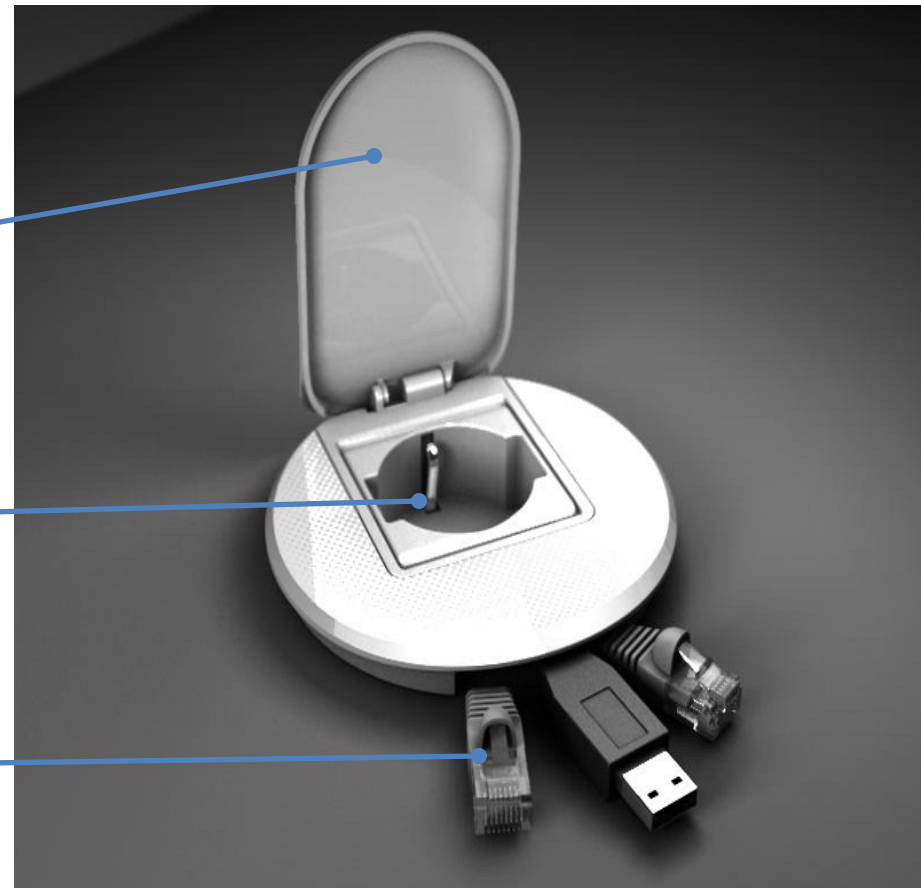
Desk Solution

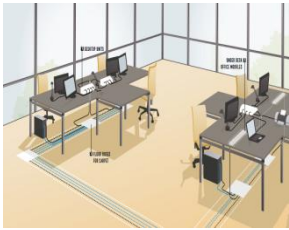


Power & Data Desk Grommet - Features and Benefits

- The flap is protecting the sockets
- Hinged 180° to avoid breaks
Automatic closing
- Access to power – with Artheor
/ Myrius Sockets
- The data cable runs through the
product.
- The desk grommets avoids the
cable to drop under the desk

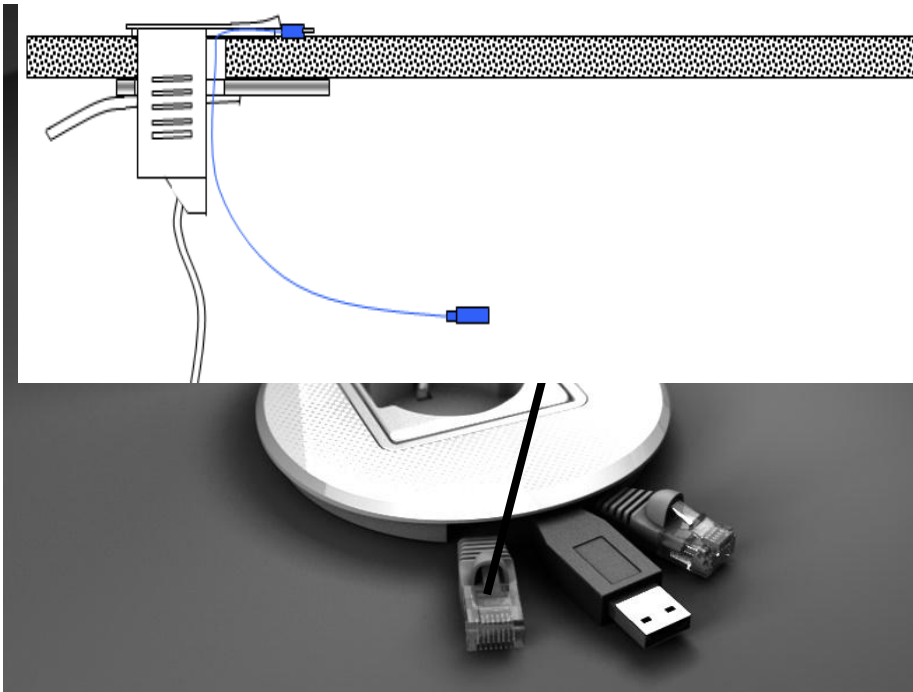
**FUNCTIONALITY AND AESTHETICS
AT YOUR SERVICE**





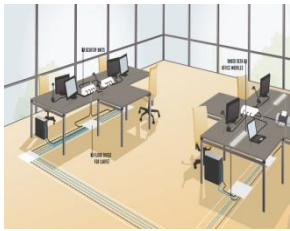
Power & Data Desk Grommet - Features and Benefits

ACCESS TO DATA



- The data cable runs through the product. The desk grommet avoids the cable to drop under the desk

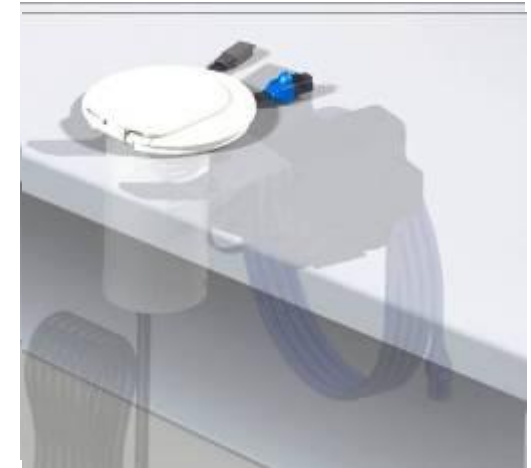
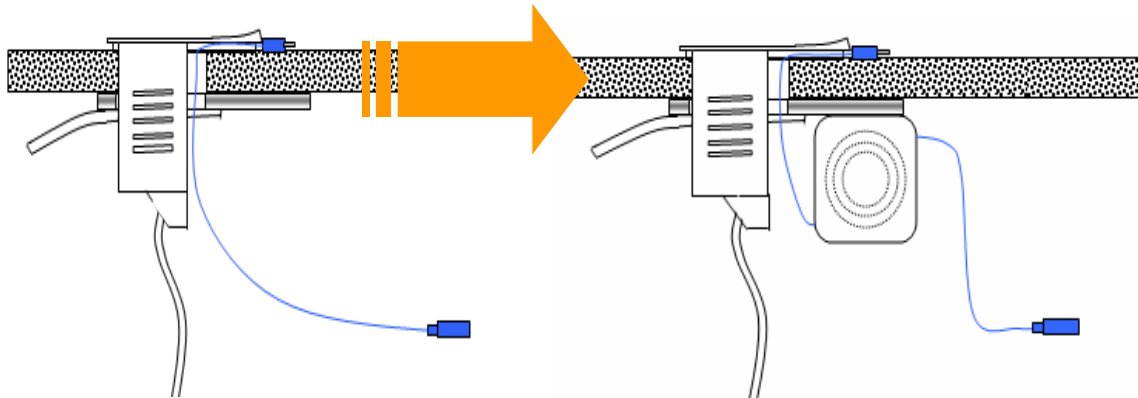
Desk Solution



Power & Data Desk Grommet - Features and Benefits

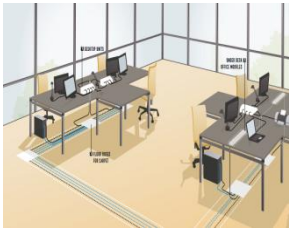
ACCESS TO DATA

An even better option is to use our retractable RJ45 module instead of the cable



- Pull on the RJ45 plug, connect your laptop. Once you are leaving, unplug the RJ45, pull a little bit and the cable is retracting.
- Available in cat 6 UTP and FTP
- Modular construction for easy add-on or replacement
- Extremely discreet : fixed under the desk

Desk Solution



Power & Data Desk Grommet - Features and Benefits

MOBILE PHONE CHARGING



- Didn't you ever find your mobile phone with very low battery at work? And do you always bring your charger at work?

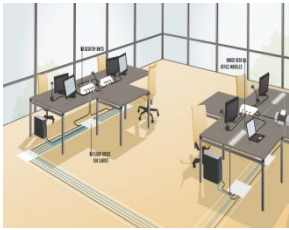
→ **Legrand answer : Have a mobile phone charger integrated within our products**

- Today, nearly all manufacturers are providing a cable to connect their phone to power or other devices with USB









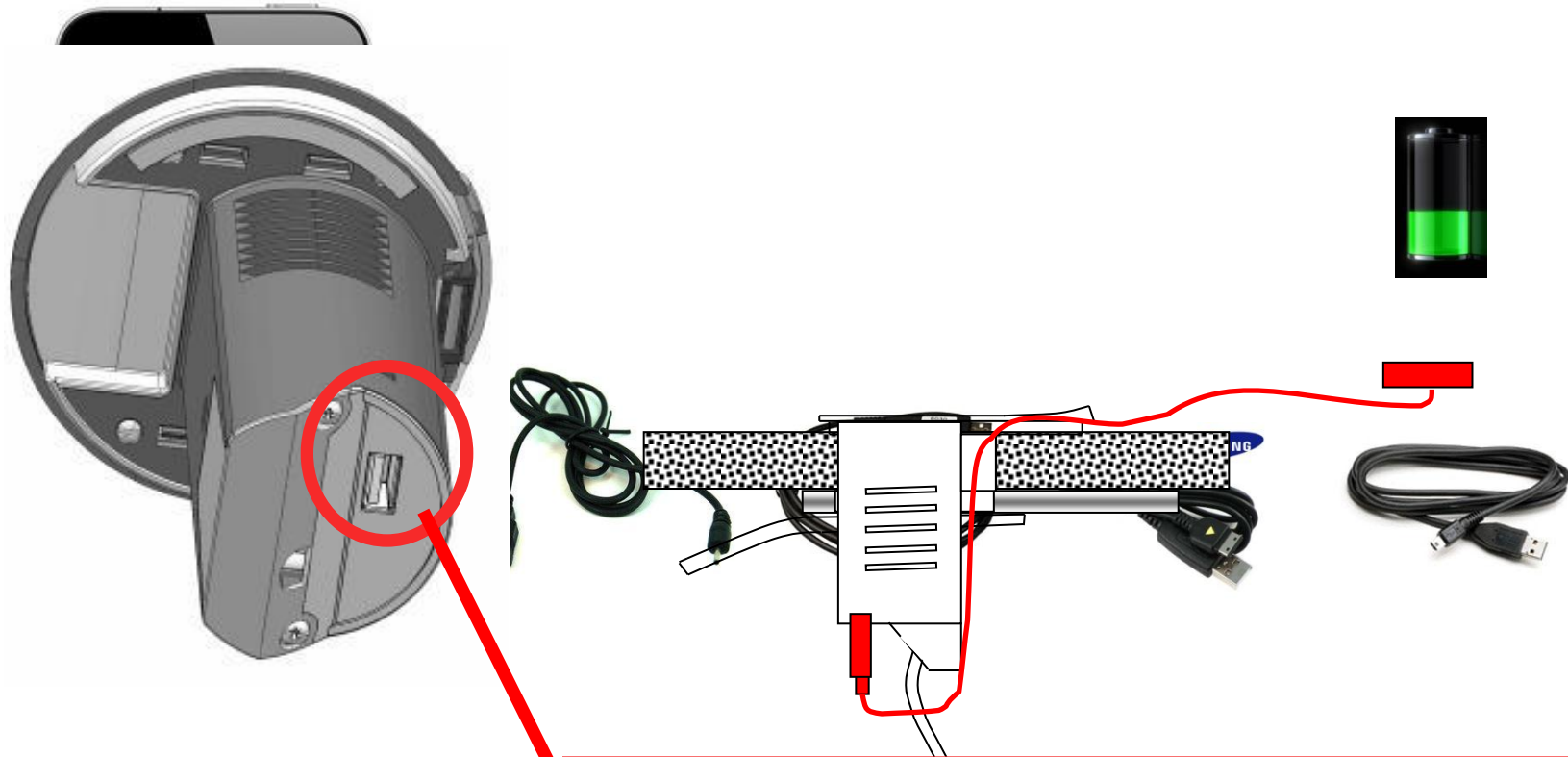
CABLE MANAGEMENT SYSTEMS

Desk Solution



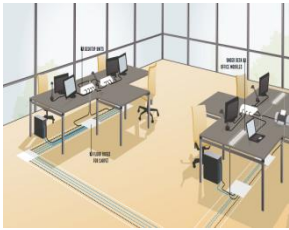
Power & Data Desk Grommet - Features and Benefits

MOBILE PHONE CHARGING



Integrated USB 5V card pre-connected with the power socket

Desk Solution

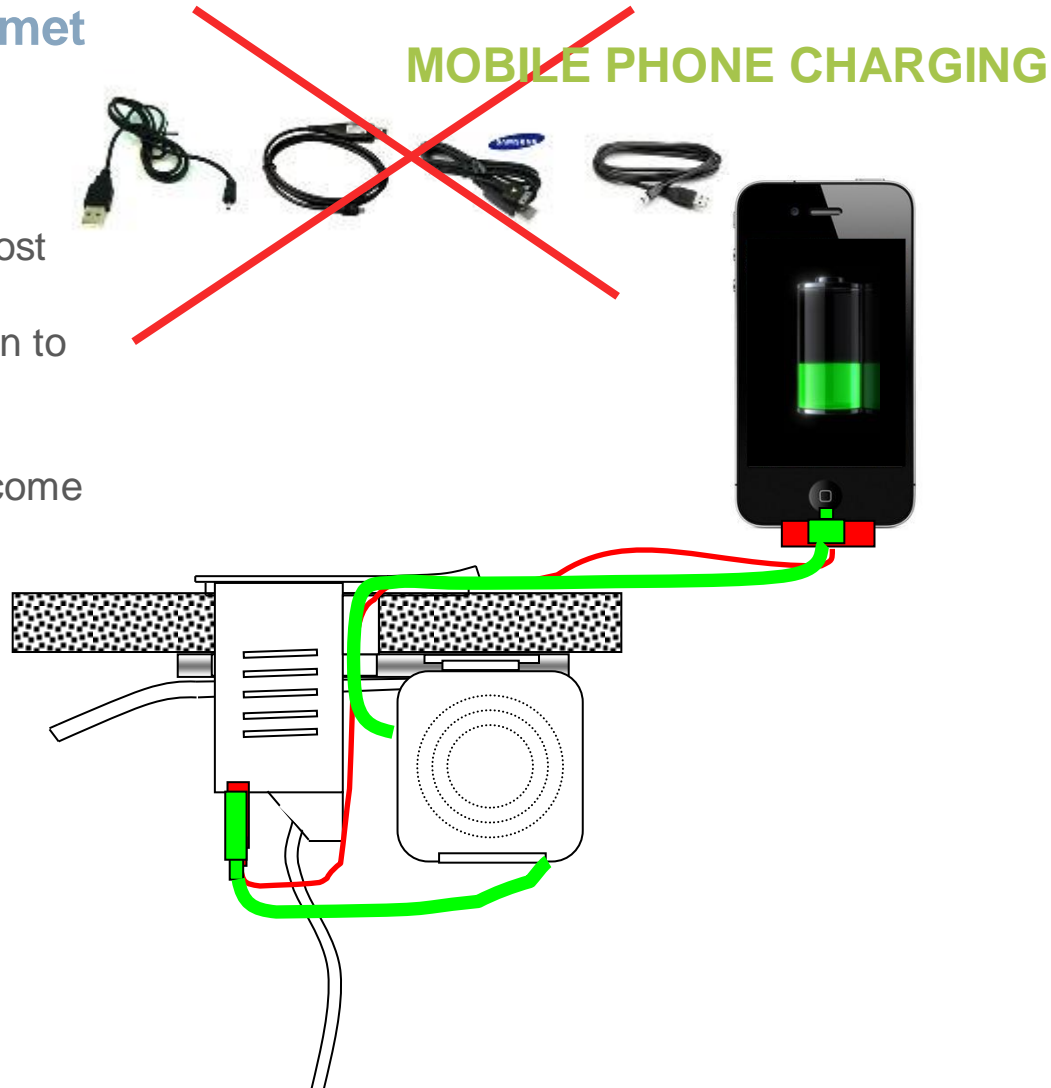


Power & Data Desk Grommet - Features and Benefits

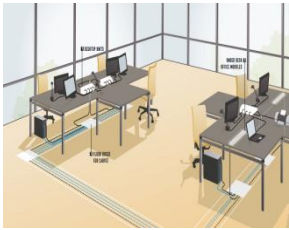
■ Following a European statement, most of the mobile phone manufacturers, agreed to standardize their connection to micro-USB.

■ So USB → micro USB cables will become a standard concerning mobile phone charging.

From now on, **Legrand is proposing a retractable USB → micro USB cable** to integrate in its products



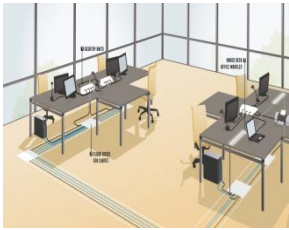
Desk Solution



Power & Data Desk Grommet - Design – 3 Finishes

**FUNCTIONALITY AND AESTHETICS
AT YOUR SERVICE**





Power & Data Desk Grommet - Design – 3 Finishes

- EASY FLUSH INTEGRATION
- REPLACE THE EXISTING GROMMET OF THE DESK BY DHM
- ADAPTATION TO DESK FINISH WITH DIFFERENT PLATES

Easy and Aesthetic
integration



Desk Solution

Power & Data Desk Grommet - Features and Benefits

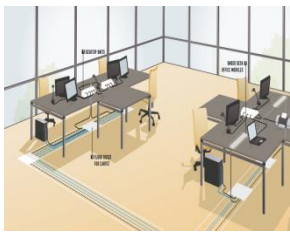
Easy and secure access to
power



FUNCTIONALITY AND AESTHETICS AT YOUR SERVICE

- Can be easily Integrated with Artheor or Myrius range of wiring devices
- Flap to protect from Dust
- Automatic closing
- Can be opened at 180° to avoid breaks

Desk Solution



Power & Data Desk Grommet - Features and Benefits

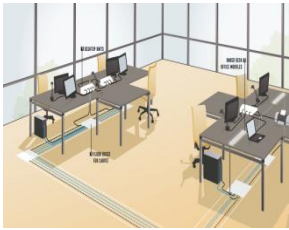
**Easy, neat and performing
access to data network**

- RJ45 retractable module for easy access to data network and always a clean desk

**FUNCTIONALITY AND AESTHETICS
AT YOUR SERVICE**



Desk Solution

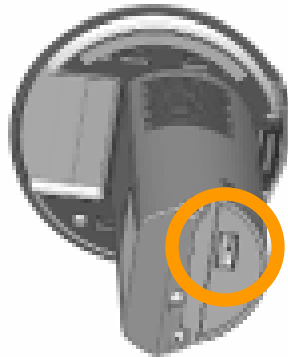


Power & Data Desk Grommet - Features and Benefits

FUNCTIONALITY AND AESTHETICS AT YOUR SERVICE

Easy phone charging

- USB exit connected on main power 220V → 5V.

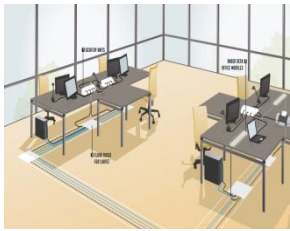


- Connect your phone cable and directly charge your phone without the need to bring your charger to work



CABLE MANAGEMENT SYSTEMS

Desk Solution



Power & Data Desk Grommet - Installation Photographs

**FUNCTIONALITY AND AESTHETICS
AT YOUR SERVICE**



[Video DHM](#)



CABLE MANAGEMENT SYSTEMS

Desk Solutions

Pop Up Box





CABLE MANAGEMENT SYSTEMS

Desk Solution



**FUNCTIONALITY AND AESTHETICS
AT YOUR SERVICE**



POP-UP
BOXES



Desk Solution



Pop Up Box - Features

Nice aesthetics

A smooth opening, sockets slide up for an easy connection

A safe opening with a "press & slide" latch

**Product 100% metal
Reduced thickness for perfect integration**

**FUNCTIONALITY AND AESTHETICS
AT YOUR SERVICE**





CABLE MANAGEMENT SYSTEMS

Desk Solution



Pop Up Box – 5 Finishes!

**FUNCTIONALITY AND AESTHETICS
AT YOUR SERVICE**

- Matt Black
- Glossy White
- Stainless Steel
- Aluminium
- Brass





Aluminum

Pop Up Box - Range

■ Pop Up Aluminum 3 Module

■ Pop Up Aluminum 4 Module

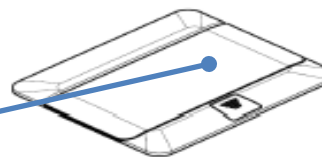
■ Pop Up Aluminum 6 Module

■ Pop Up Aluminum 8 Module

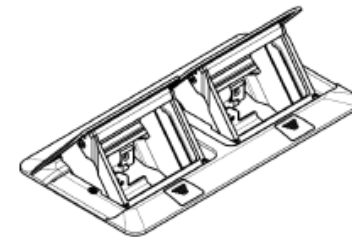
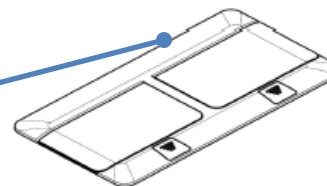
3 modules :



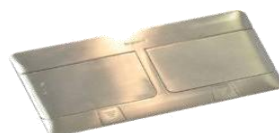
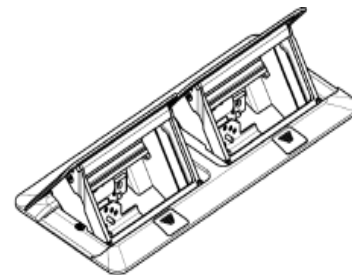
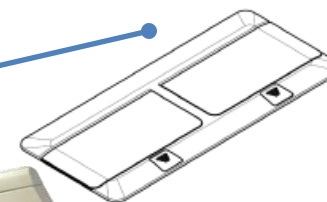
4 modules :



6 modules :



8 modules :



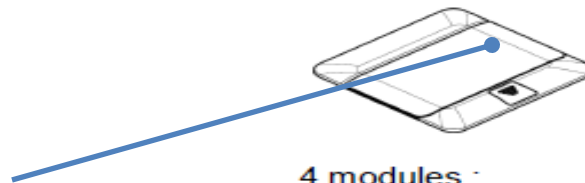


Brass

Pop Up Box - Range

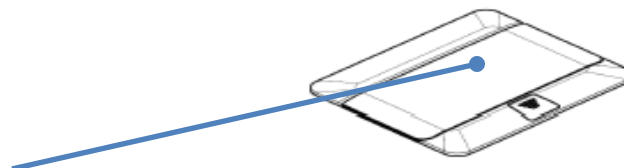
■ Pop Up Brass 3 Module

3 modules :



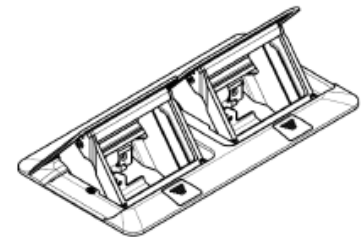
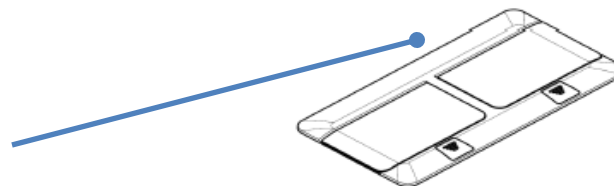
■ Pop Up Brass 4 Module

4 modules :



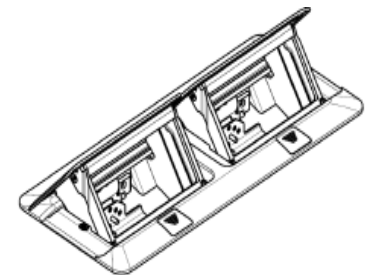
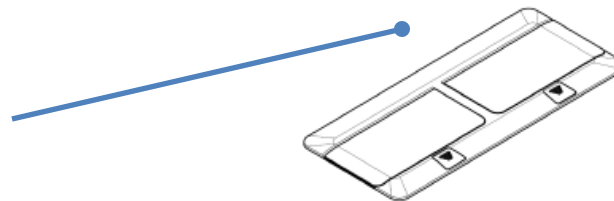
■ Pop Up Brass 6 Module

6 modules :



■ Pop Up Brass 8 Module

8 modules :



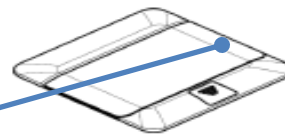


Pop Up Box - Range

Brushed Stainless Steel Finish

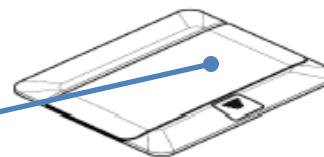
■ Pop Up Stainless 3 Module

3 modules :



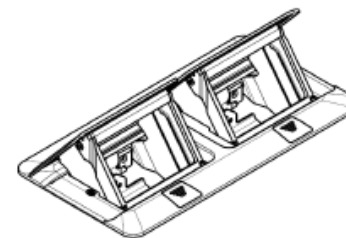
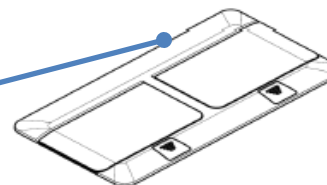
■ Pop Up Stainless 4 Module

4 modules :



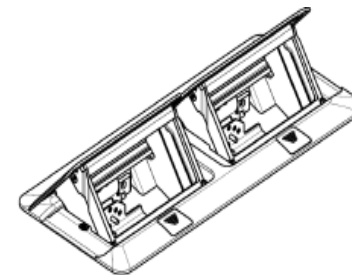
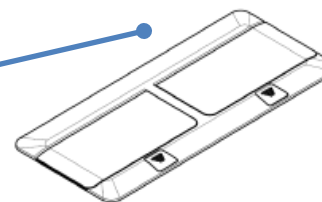
■ Pop Up Stainless 6 Module

6 modules :



■ Pop Up Stainless 8 Module

8 modules :





Glossy White Finish

Pop Up Box - Range

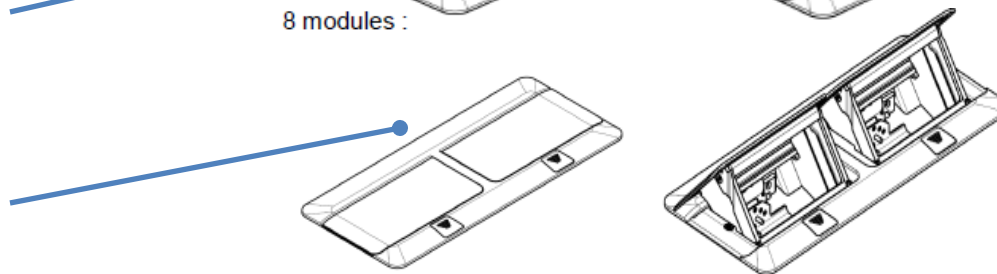
- Pop Up Glossy White 4 Module

4 modules :



- Pop Up Glossy White 8 Module

8 modules :



Matt Black Finish

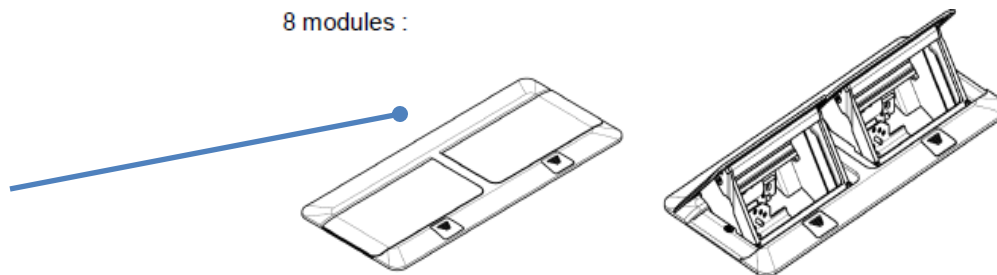
- Pop Up Matt Black 4 Module

4 modules :



- Pop Up Matt Black 8 Module

8 modules :



Desk Solution



Pop Up Box - Features

- An aesthetic and functional offer to Integrate directly in a Workstation or a meeting room.
- Wiring accessories sockets slides up for easy connection
- Easy integration of power and data (RJ45, Audio / Video, USB...)



- Compatible with Arteor Range of Wiring Devices



Full Metal Product

Better functionality

- Slow Opening System
- Press and Slide Button to open the Pop UP

Design

- 5 Different Finishes
- Reduced thickness for Perfect Integration



Desk Solution



Pop Up Box - Features



FUNCTIONALITY AND AESTHETICS AT YOUR SERVICE

Safety and Ease of Use

- Soft opening cover with damper and push & slide locking System

Accessories

- Installation Kits available for Raised Floor /Table Top or for Screed floor

Finish

- Matt black – Aluminum material with Black Painting
- Glossy white - Aluminum material with white Painting
- Stainless steel – Zamak Nickel Coating
- Aluminium - Aluminium material
- Brass – Brass Material



Desk Solution



Pop Up Box - Features



FUNCTIONALITY AND AESTHETICS AT YOUR SERVICE

Mechanical Impact

- Protection against Mechanical Impact : IK07

Degree of Protection

- IP 30 cover Open
- IP 40 Cover Closed

Resistance to vertical Load applied through small area:

- 1500N cover open
- 3000N cover closed

Material

- Halogen free
- Fire Proofed and no Propagator to flame
- Corrosion resistant and to temperature changes





CABLE MANAGEMENT SYSTEMS

Desk Solution

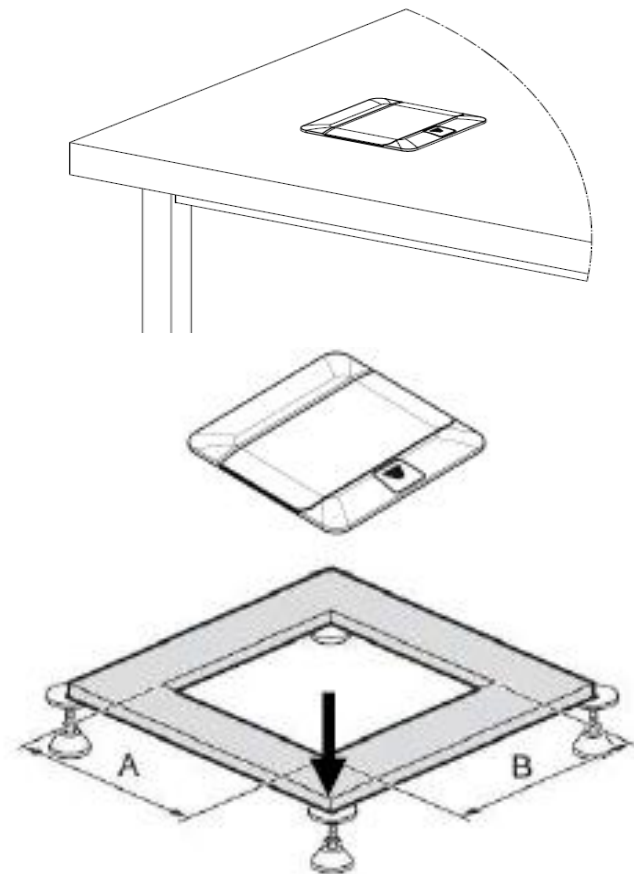


Pop Up Box

– Installation Desk/ Table/ Raised Floor

Use the Kit for
desk/table/raised floor

- Power / Data Cat6/ AV





Desk Solution

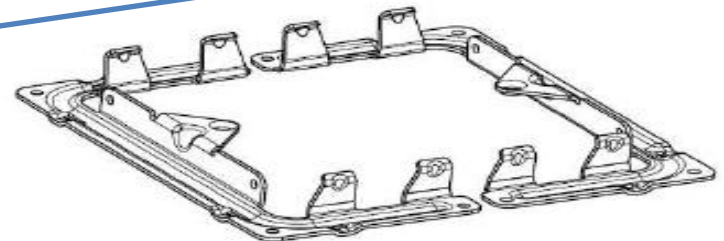
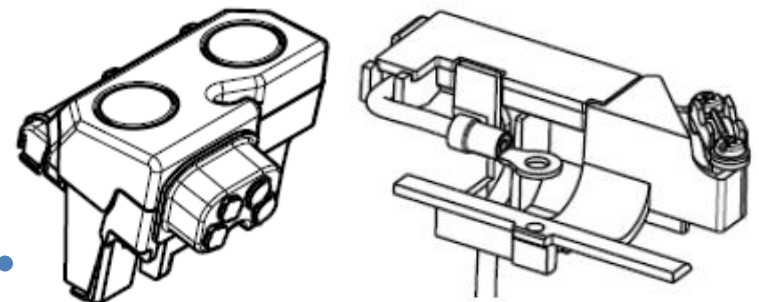
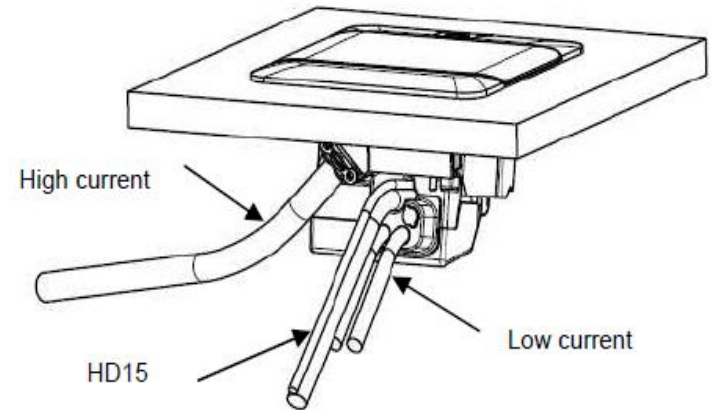
Pop Up Box

– Installation Desk/ Table/ Raised Floor

Pop-Up installed on desk / table / raised floor

Installation Kit

- Insulation Unit
- Clamp Support
- 2 Fixations Supports



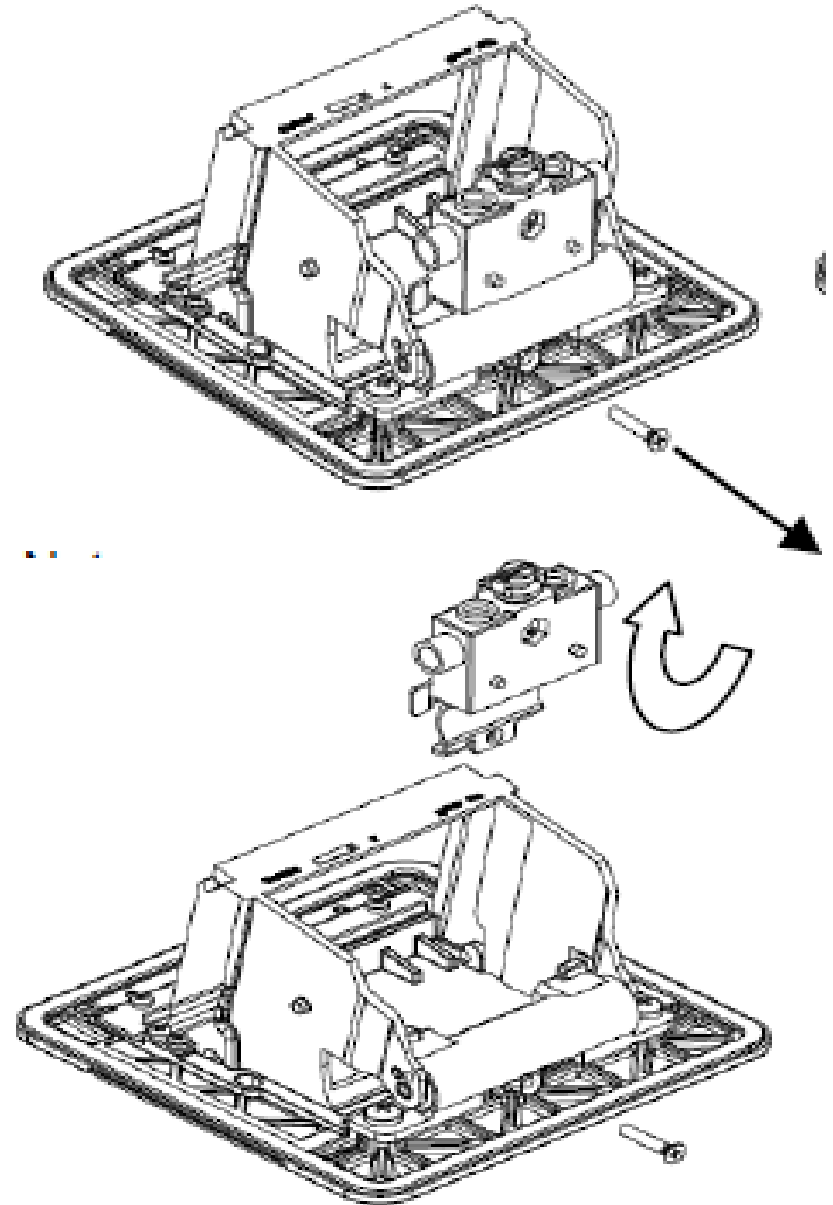
Desk Solution



Pop Up Box

– Installation Desk/ Table/ Raised Floor

If you don't require Power Connection remove the terminal connection





Desk Solution

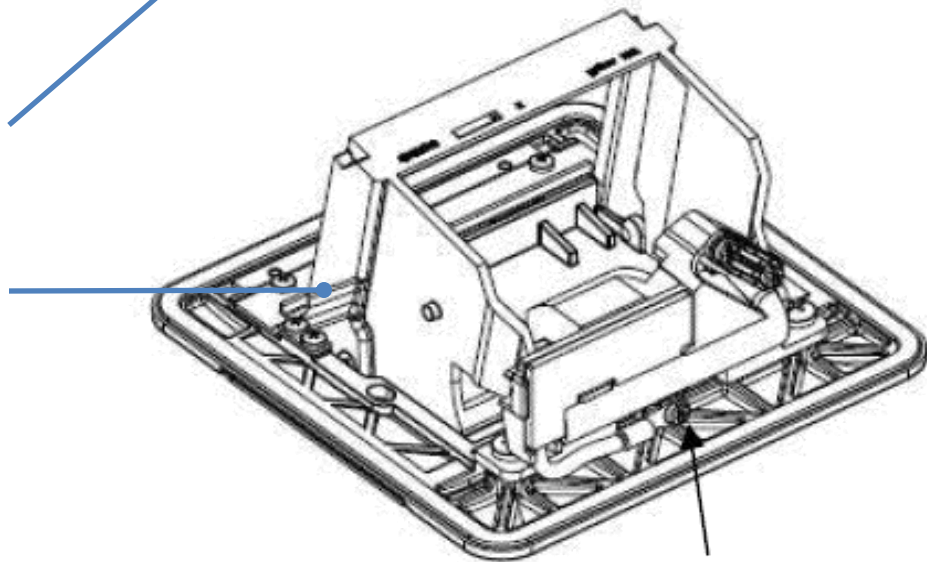
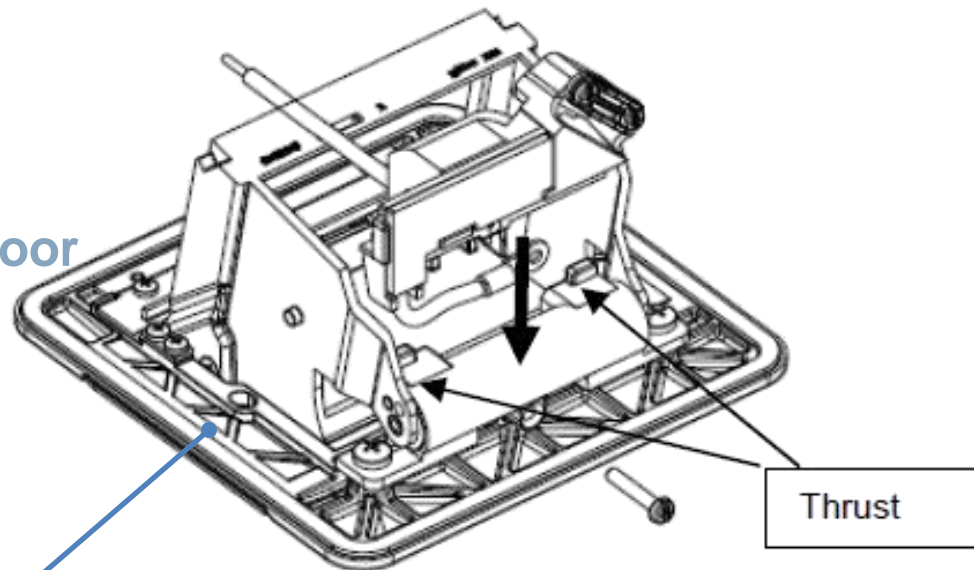
Pop Up Box

– Installation Desk/ Table/ Raised Floor

Assembly of Pop Up

■ Push the cable clamp down

■ Fix the earth link on the metal part of Pop-Up



To fix the support by making earthing



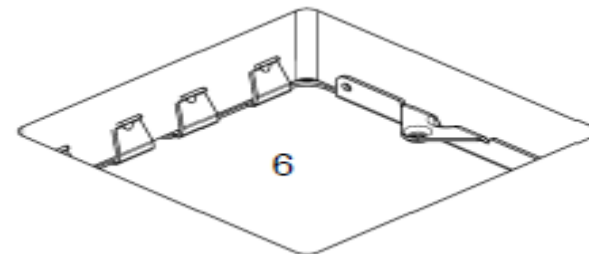
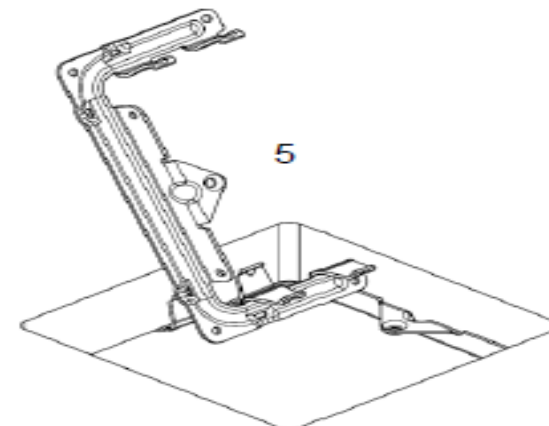
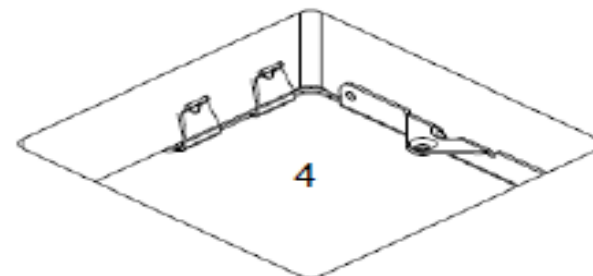
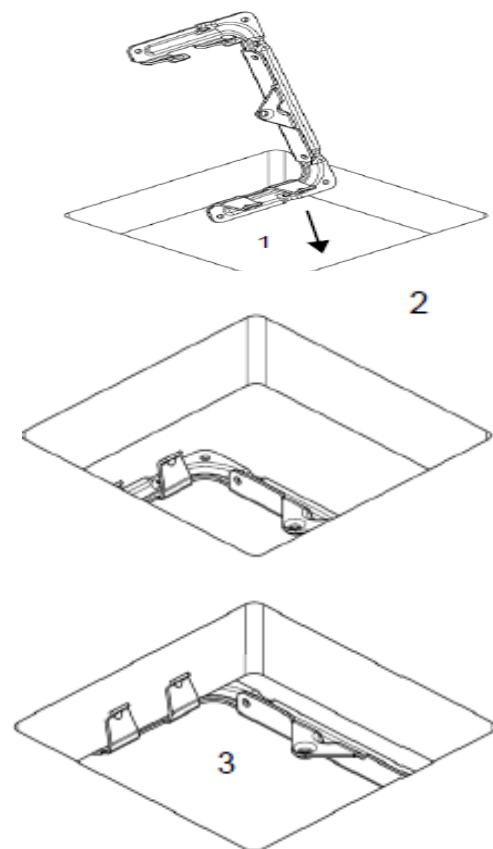
CABLE MANAGEMENT SYSTEMS

Desk Solution



Pop Up Box

– Installation Desk/ Table/ Raised Floor





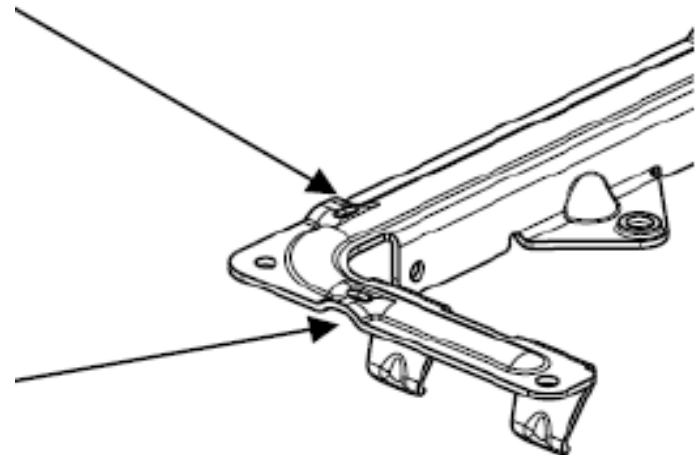
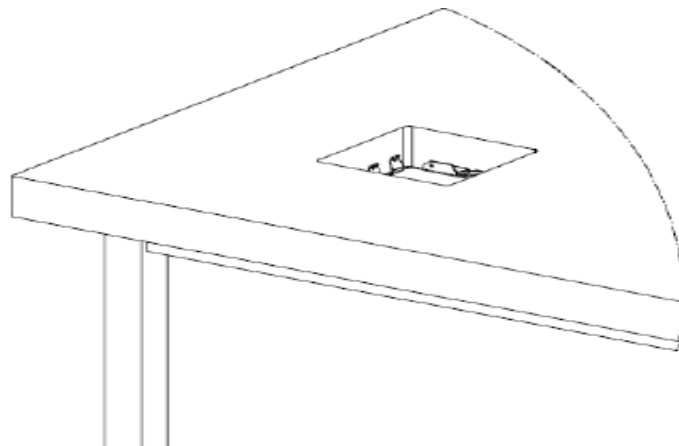
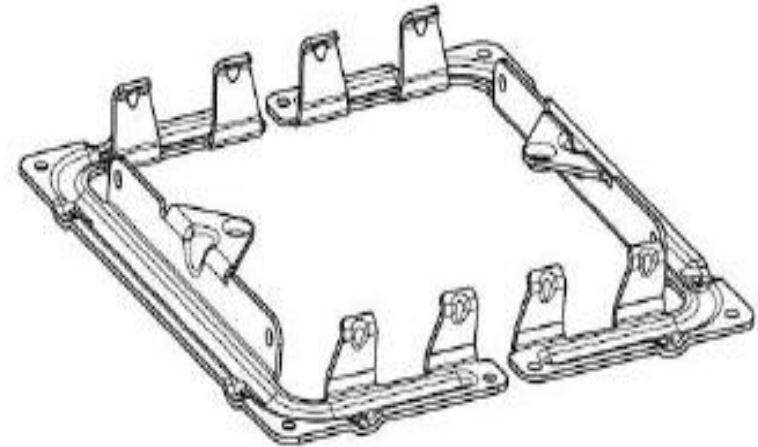
Desk Solution

Pop Up Box

– Installation Desk/ Table/ Raised Floor

Fixation Support

- Holes provided to allow the passage of the cable ties to generate the loop of RJ45 Cable and to respect bend radius for VDI Cables



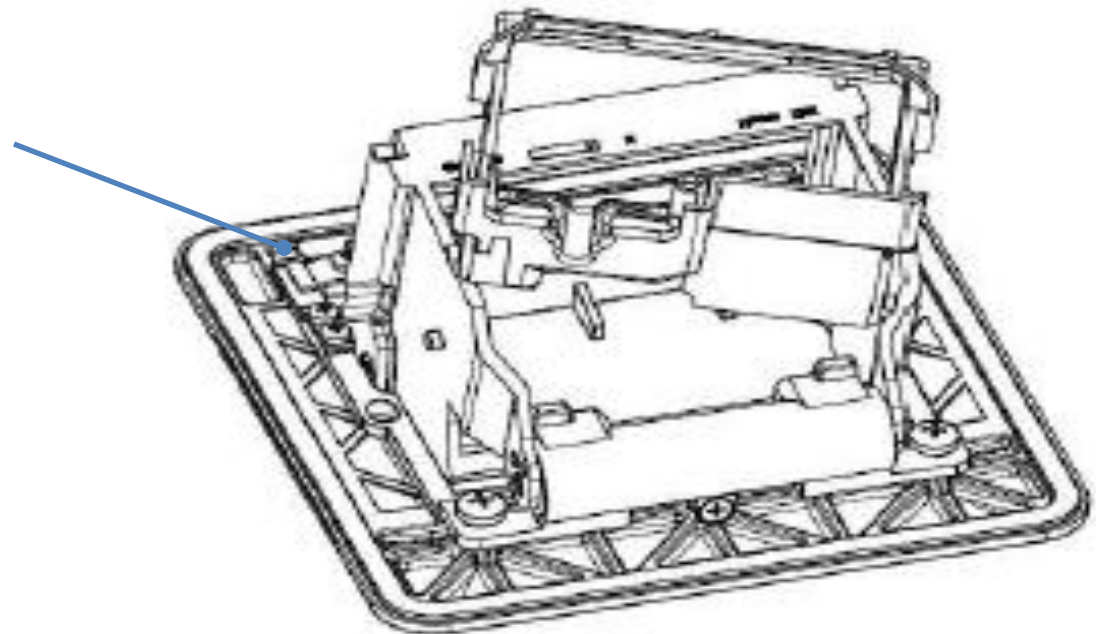
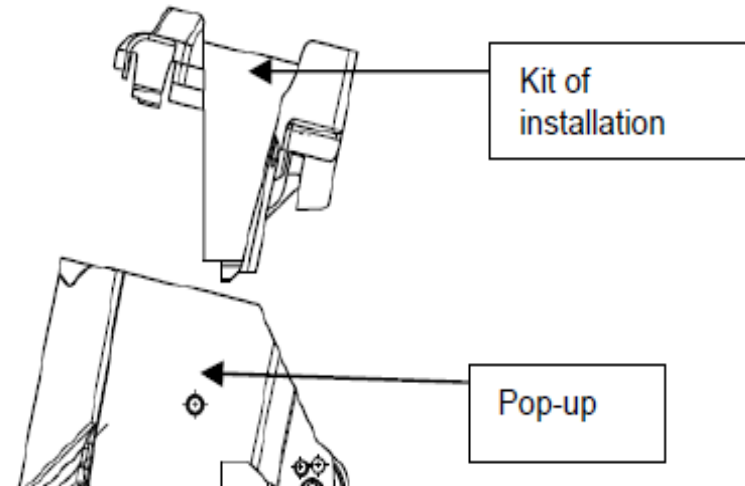


Pop Up Box

– Installation Desk/ Table/ Raised Floor

Kit Installation without the Clamp Support

- Insert the Kit at the back
- Turn it at 45 Degree



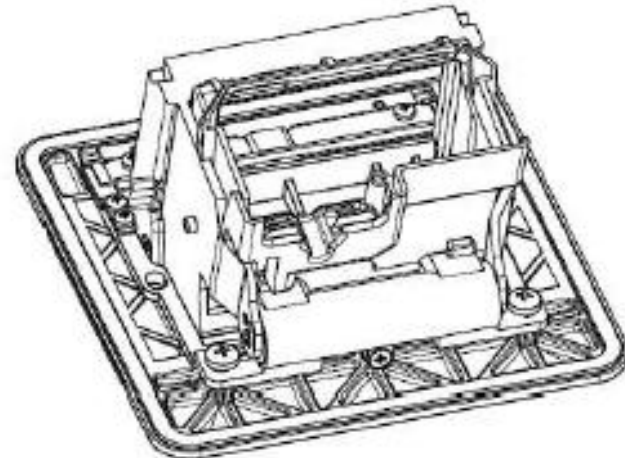
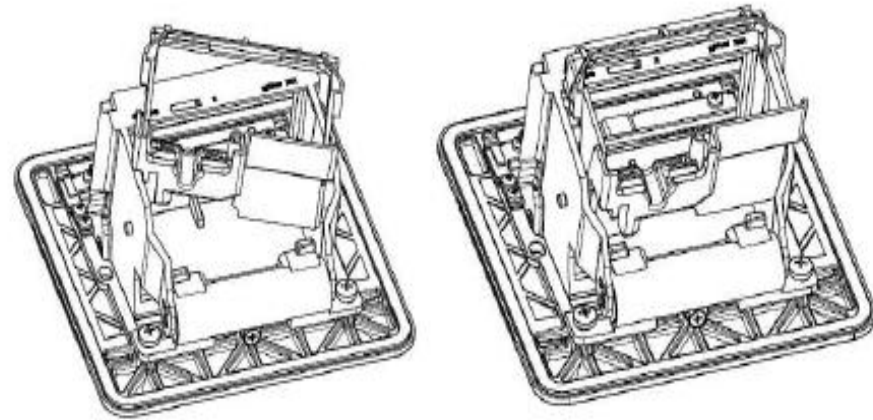


Pop Up Box

– Installation Desk/ Table/ Raised Floor

Kit Installation without the Clamp Support

- Push It Down and Turn it Back
- It will clip when in Place



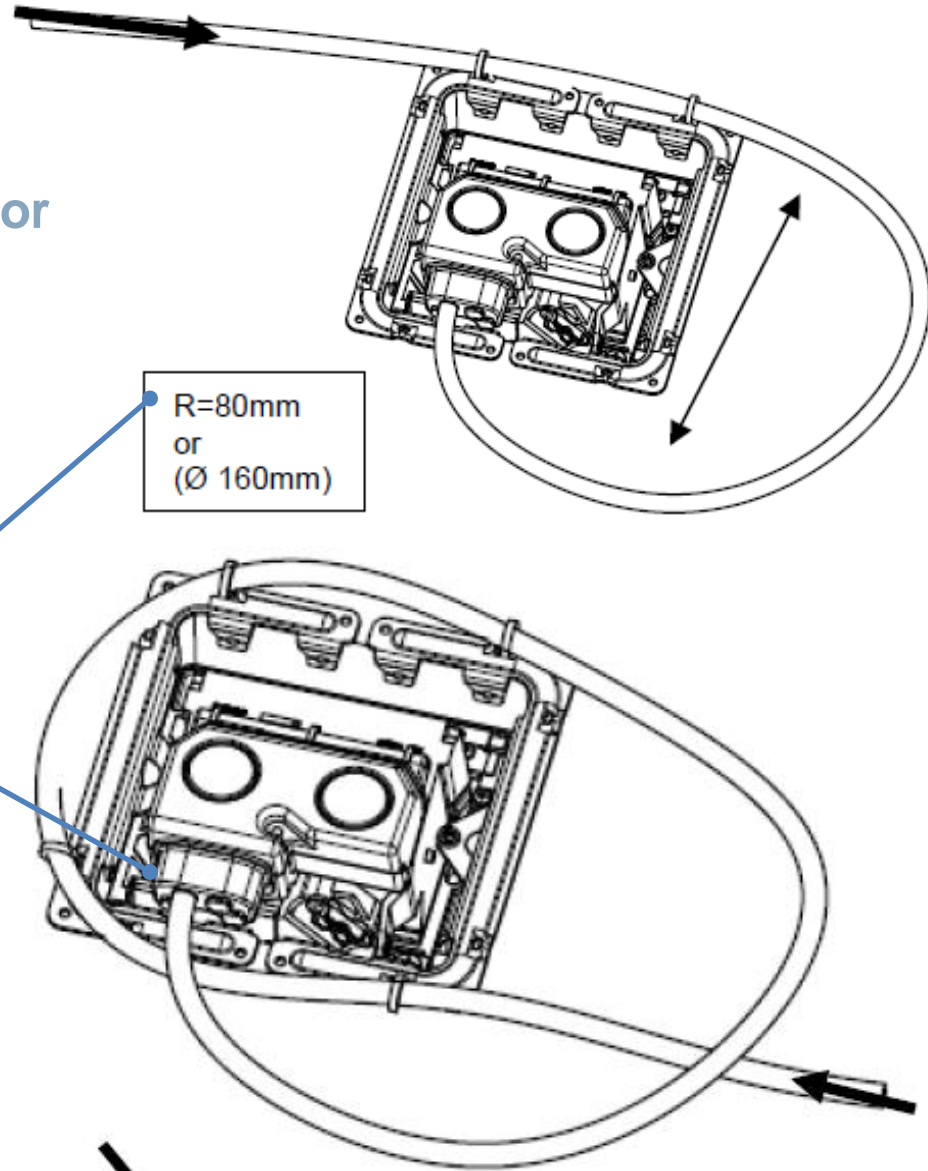
Desk Solution



Pop Up Box

– Installation Desk/ Table/ Raised Floor

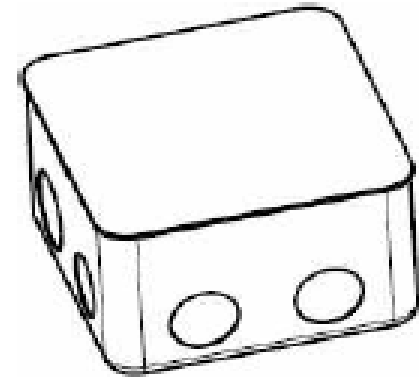
Positioning of VDI Cables Under the Desk –
Respect the bending
Radius of VDI Cables



Desk Solution



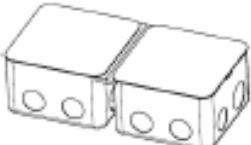
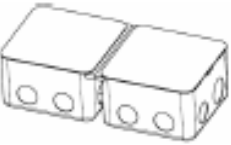


Pop Up Box – Installation Concrete Floor



Use the backbox for concrete floor

- Minimum Depth Required = 60 mm
- Back Box can take a conduit with a diameter 20mm
- The Back Box for concrete is delivered with Protection Cover to protect from Concrete entering in the back box

Pop-up 3mod	Pop-up 4mod	Pop-up 6 (2x3) mod	Pop-up 8 (2x4) mod
			

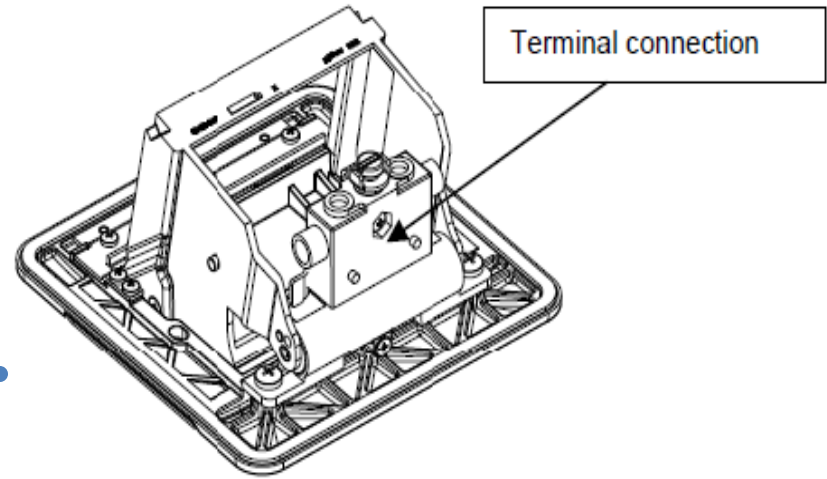


Desk Solution

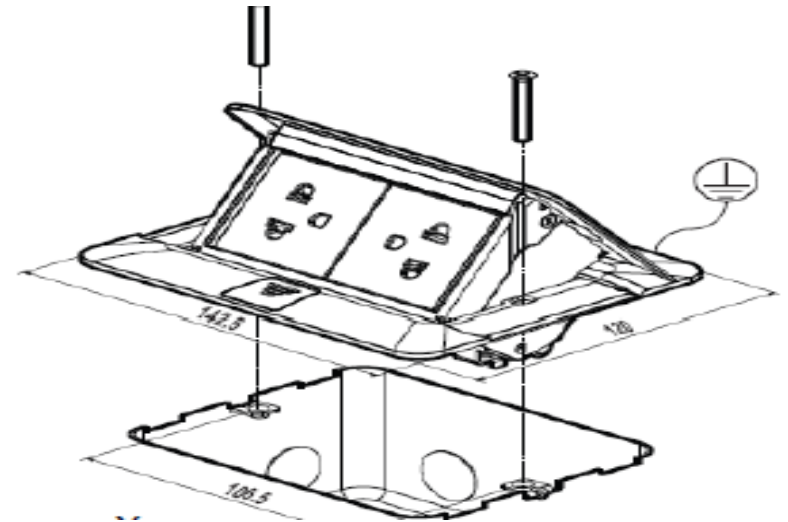


Pop Up Box – Installation Concrete Floor

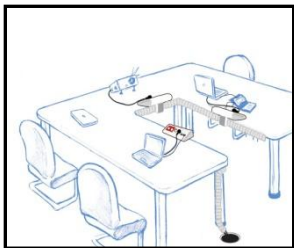
Pop-Up Delivered with
Terminal Connction



Place the Pop Up on Back
Box and tighten the Screw



[Video Pop Up](#)



CABLE MANAGEMENT SYSTEMS

Desk Solutions

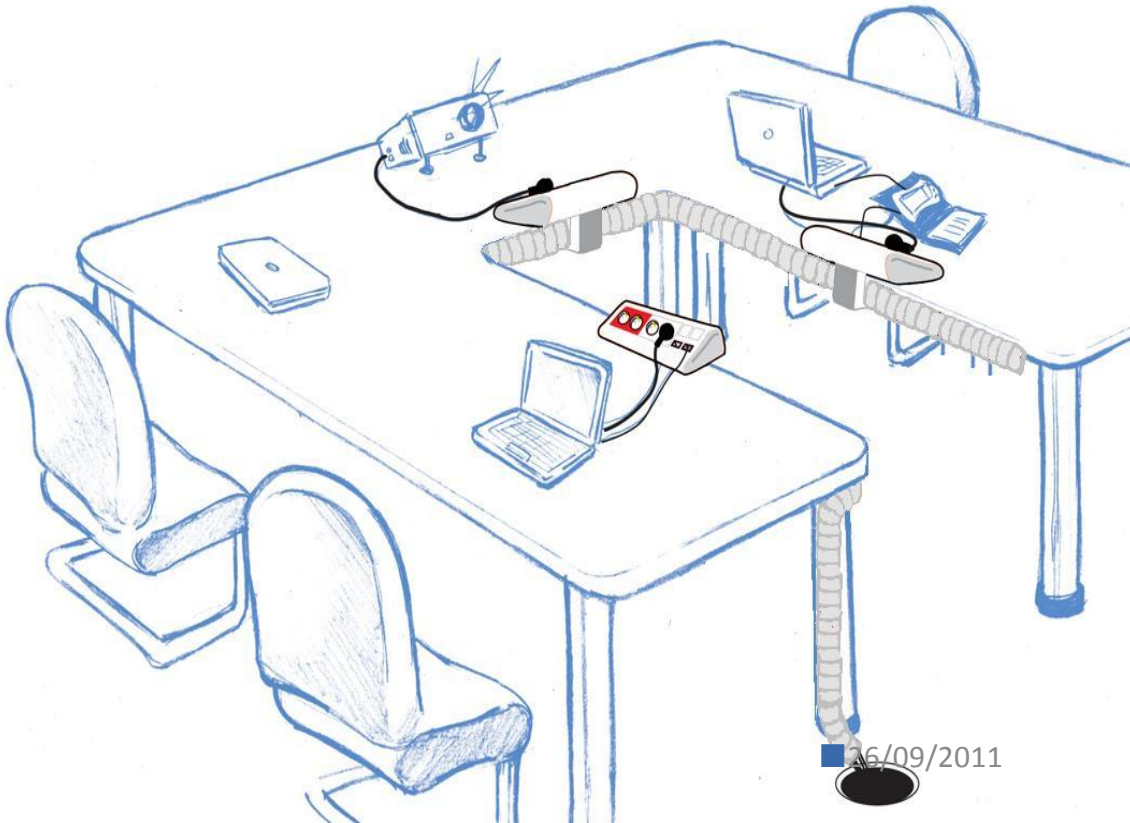
Desktop Extension Unit



Desk Solution

Desktop Extension unit!

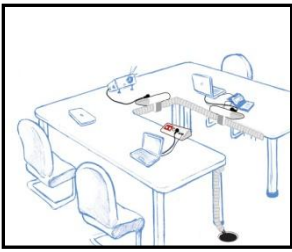
FUNCTIONALITY AND AESTHETICS
AT YOUR SERVICE



DESKTOP
MODULES



Desk Solution



Desktop Modules

Power, data and audio-video supplied right to the desktop for the utmost convenience

Design as per your requirement with Arteor Mechanism (Audio/HDMI/ USB/ DATA / Power etc)

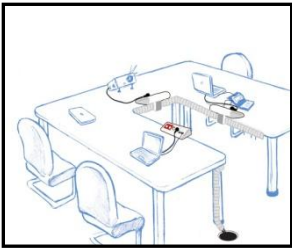
Neat and attractive appearance suited to commercial environment

Empty Desktop Module available in 8, 12 and 16 modules

A Reliable and Secure installation with Conformity to NFC 61314. Protection IK07

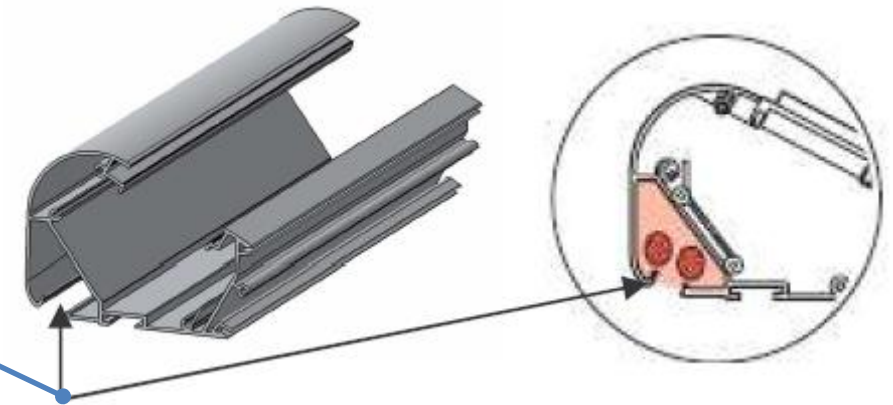


Desk Solution

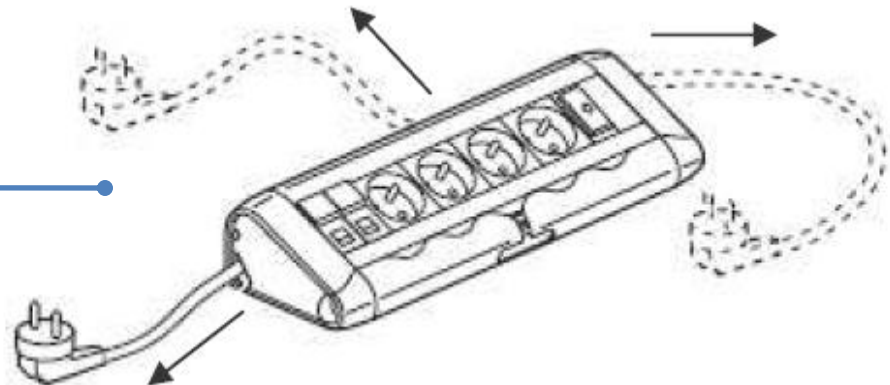


Desktop Modules

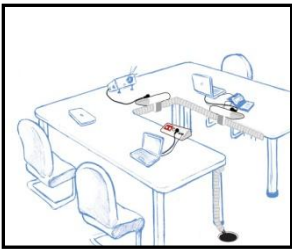
Enable you to fit 2 Cables
3G 1.5mm sq or 3 Data cables
+
1 Power Cable



Wiring Flexibility: Cable inlet at the Side or the rear to adjust to work- Place configuration



Desk Solution

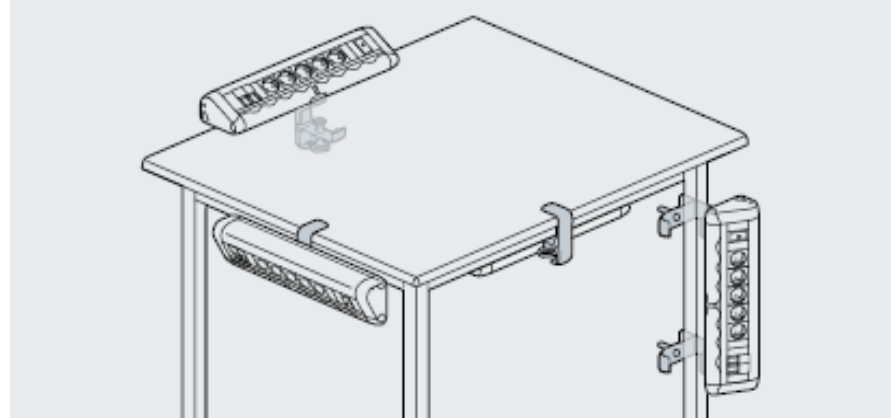


Desktop Modules- Features

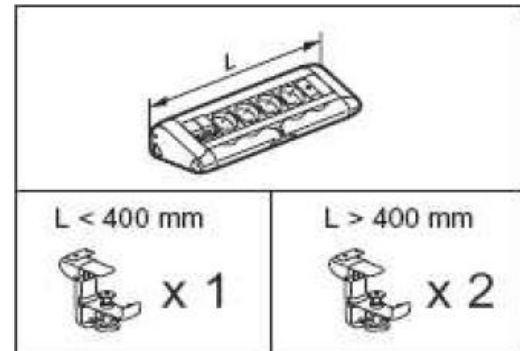
Fixing Accessory (Zamak –SS color).

Desktop Module can be fixed
On the Desk
Under the Desk
Along the desk
On the Desk

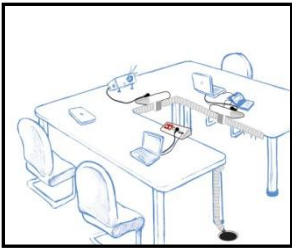
FASTENING AND STORAGE ACCESSORIES



The module can be installed in different ways

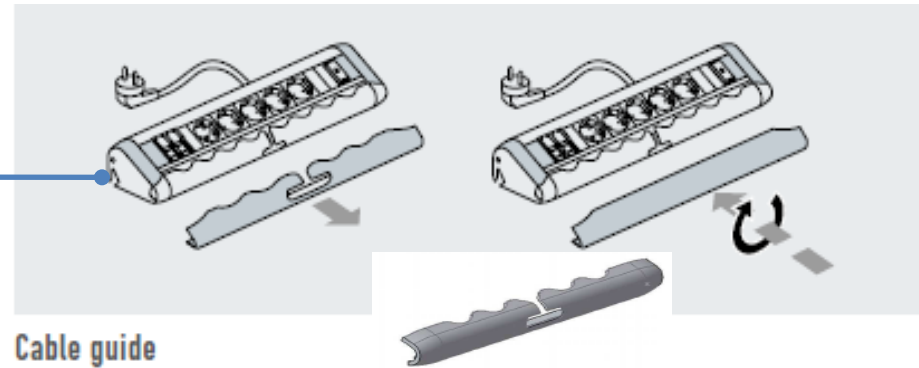


Desk Solution

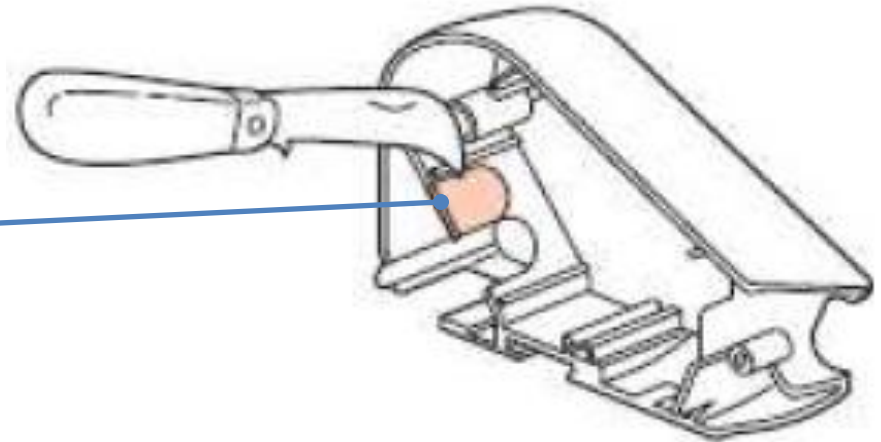


Desktop Modules- Features

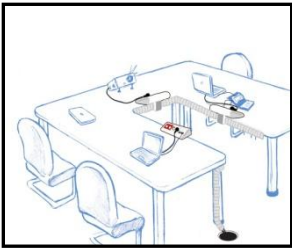
Reversible Cable Storage System:
For adopting to mobile and fixed
workstation



Passing the Cable Through End
Cap The End Cap Includes 1
Cable Entry To fit 2nd Cable take
out the part as shown



Desk Solution



Desktop Modules- Features

End Caps in ABS grey RAL 7035

Cable Manager in Polyamide RAL7035

Cable thightener in ABS

Body Anodised Aluminum

Compatible wiring Device Range is Artheor

